

ÚÜZÒSýÖPÖÁNRV-050

WIDOK 3D



PRODUCT DRAWING RELEASE

Last Modification (geometry): 28/08/2009 00:00

Datasheet creation date: 15/06/2015 06:05

PRODUCT DESCRIPTION:

Worm reduction unit with input shaft

PRODUCT TYPE: NRV

CONFIGURATION & DIMENSIONAL VALUES

GR Size	050
RAP Ratio	5
ENTRNRV Input shaft (d*l)	14x30
ACU Output hole shaft (d)	25
VB Double input shaft	NO
TFU Output flange dimension (d)	NO
DFU Output flange dimension (d)	-
PFU Output flange position	-
AL Output hole shaft (d)	NO
PAL Output shaft position gear unit 2	-
BR Torque arm	NO
PBR Torque arm position	-
CAP Cover	NO
A	80
B	30
BB	8
B1	5
D	25(24)
D1	14
F	M6
G1	92
G2	74
G3	64
H	60
I	50
K	70
KE	M8*10(8)
L	85
M	85
N	70
N1	43.5

PRODUCT DRAWING RELEASE

Last Modification (geometry): 28/08/2009 00:00

Datasheet creation date: 15/06/2015 06:05

PRODUCT DESCRIPTION:

Worm reduction unit with input shaft

PRODUCT TYPE: NRV

CONFIGURATION & DIMENSIONAL VALUES

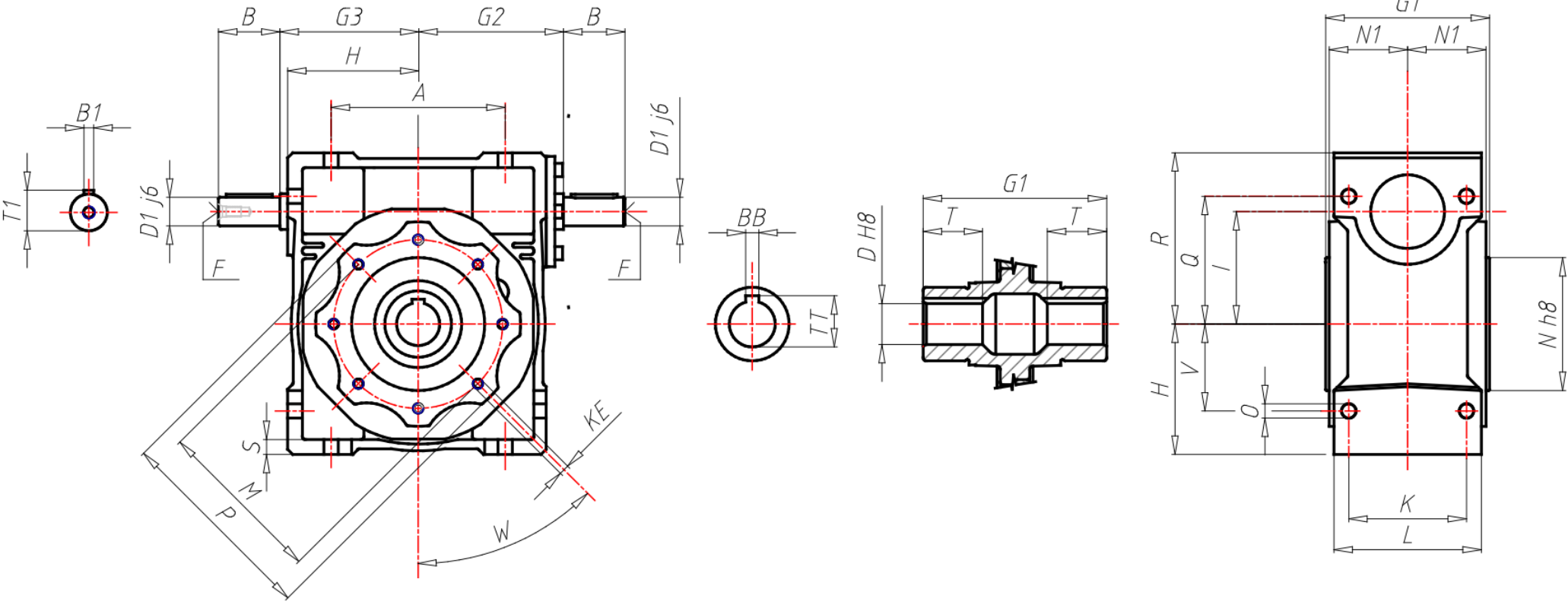
O	8.5
P	100
Q	64
R	84
S	7
T	30
TT	28.3(27.3)
T1	16
V	40
W	45°

PRODUCT DRAWING RELEASE

Last Modification (geometry): 28/08/2009 00:00

Datasheet creation date: 15/06/2015 06:05

2D VIEW PRA

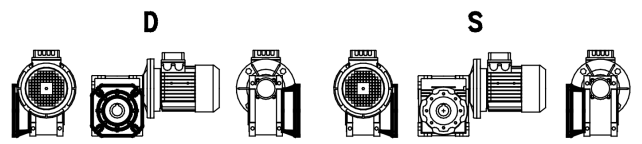
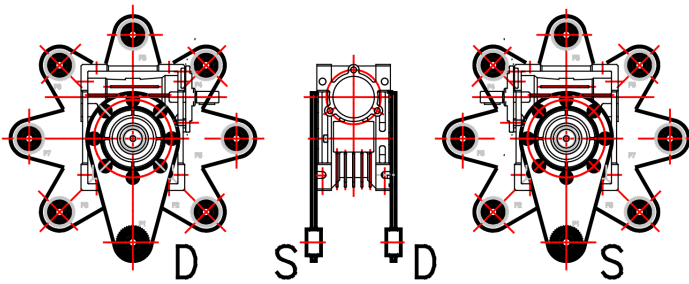


PRODUCT DESCRIPTION:

Worm reduction unit with input shaft

PRODUCT TYPE: NRV

2D VIEW ACCESSORIES



PRODUCT DRAWING RELEASE

Last Modification (geometry): 28/08/2009 00:00

Datasheet creation date: 15/06/2015 06:05